

XF REMOTE PRINTER SPECIFICATIONS



The rugged XF PRINTER, when integrated into an Android™ app that uses the XF SDK, delivers robust printing capabilities in mobile environments.

It supports two fonts with multiple pitch settings, double-height characters, double-size characters, bolding, contrast, and adjustable line spacing.

It can also generate barcodes using one of eight symbologies, print dithered images and simple graphics, send printer statuses (such as paper out, and printing complete), and support forward and reverse black mark seeks to align to a pre-printed form.



Standard Features:

- Printing Method: Direct Thermal
- Resolution: 203 dots/inch
- Media Width: 3.125 in. (80mm) max.
- Print Width: 2.8 inches (72mm)
- Control: SDK
- Sensors: Paper Out/Black Mark, Cover Open
- Retracting stainless steel cutting blade allows use of polyvinyl media
- Paper Type: Direct thermal roll/variable length printing on polyvinyl
- Connectivity: Bluetooth®, Version 5.0, Class 2, BLE

XF SDK:

Supported Fonts:

- Courier: 12.7 cpi, 13.5 cpi, 14.5 cpi, 15.6 cpi, 16.9 cpi, 18.5 cpi, 20.3 cpi, 22.6 cpi, 25.4 cpi
- San Serif: 4.2 cpi, 5.5 cpim 10.2 cpi, 10.7 cpi, 16.9 cpi, 18.5 cpi, 20.3 cpi

Supported Bard Codes:

- Code 128, Codabar, Code 39, Interleaved 2 of 5, UPC-A, UPC-E, EAN-8, and EAN-13

OS Compatibility:

- Android 12, 13 and 14

Printer Battery:

- Type: Lithium-Ion
- Capacity: 2900 mAh (7.4V)
- Charge Temperature: +5°C to +45° C¹
- Operating Temperature: -20°C to +60° C¹

Charging:

- XF Dock
- XF Car Charger via XF Charging Cable
- XF PD Power Supply via XF Charging Cable

LED Indicators:

- Charging State
- Battery Status
- Used Defined²

Function Key:

- Form Feed and/or Used Defined Function Key2

Certifications & Approvals:

- FCC Part 15 Subpart B
- Innovation, Science and Economic Development Canada ICES-003, Issue 7

Warranties:

- One Year for manufacturing defects
- Optional extended warranty plans available (up to five years)

XF REMOTE PRINTER SPECIFICATIONS



Options:

1D/2D Barcode Scanner:

- Type: Honeywell N6600 Series
- Illumination: White LED
- Aiming: 650 nm high-visibility red laser
- Symbologies Read:
 - Linear: UPC/EAN/JAN, GS1 Databar, Code 39, Code 128, Code 32, Code 93, Codabar/NW7, Interleaved 2 of 5, Code 2 of 5, Matrix 2 of 5, MSI, Telepen, Trioptic, China post
 - 2D Stacked: PDF417, MicroPDF417, GS1 Composite
 - 2D Matrix: Aztec Code, Data Matrix, QR Code, Micro QR Code, MaxiCode, Han Xin Code
 - Postal: Intelligent Mail Barcode, Postal-4i, Australian Post, British Post, Canadian Post, Japanese Post, Netherlands (KIX) Post, Postnet, Planet Code
 - OCR Options: OCR-A, OCR-B, E13B (MICR)

Speaker:

- 0.8Watt, 8 Ohm

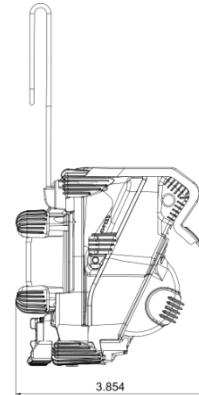
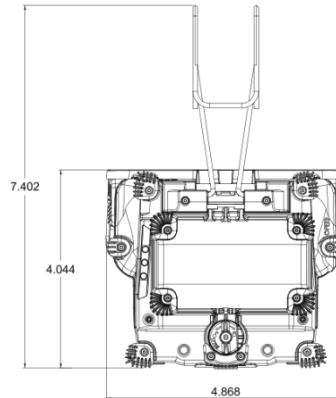
Accessories:

- Weather Deflector
- USB-C PD Wall Charger Charging Cable
- Car Charger
- Spare Printer Battery
- Single Position Charging Dock
- Four Position Charging Dock
- Printer Pedestal for Charging Dock

Dimensions:

| | | | |
|------------------|------------------|---------------------|--------|
| Weight: | | Height: | 4.040" |
| Printer: | 14.39 oz. | Height w/Belt Clip: | 7.402" |
| Belt Clip: | 0.45 oz. | Width: | 4.868" |
| Battery: | 3.82 oz. | Depth: | 3.854" |
| Full Paper Roll: | 2.52 oz. | | |
| Rain Guard: | 0.96 oz. | | |
| Total: | 22.14 oz. | | |

Add 2.86 oz. for optional barcode reader



Notes:

1. Actual temperature of battery; not ambient
2. Requires XF SDK

Specifications are subject to changes without notice. Android devices are not included, and must be purchased separately. Contact Two Technologies for a list of Android supported devices.

Copyright © 2023 - 2025 Two Technologies, Inc. All rights reserved. Two Technologies, Inc., 2T, XF1R2, and the Two Technologies logo are registered trademarks of Two Technologies, Inc. Android is a trademark of Google LLC. Other products or company names mentioned herein may be the trademarks or registered trademarks of their respective companies.



Two Technologies, Inc.

419 Sargon Way, Horsham, PA 19044

Office: 215.441.5305 • Sales: 215.773.7193



www.2T.com/spc1